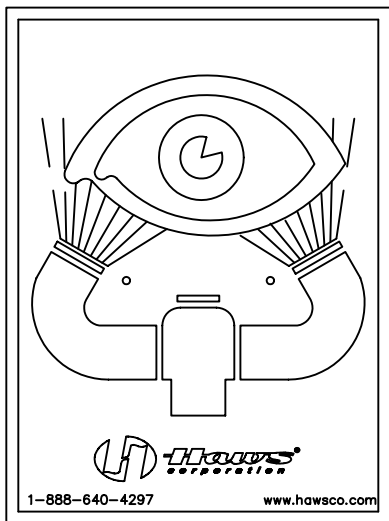
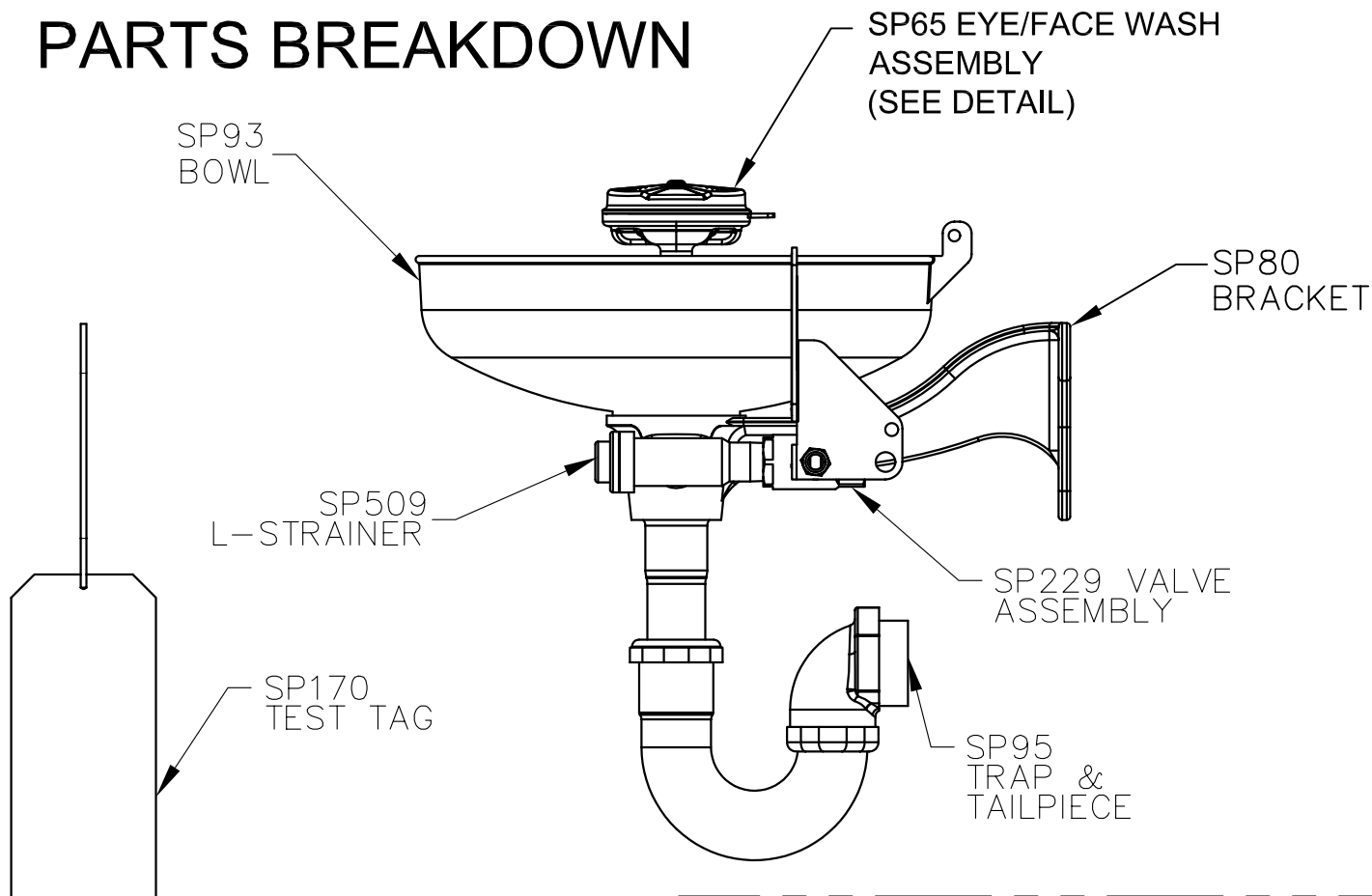
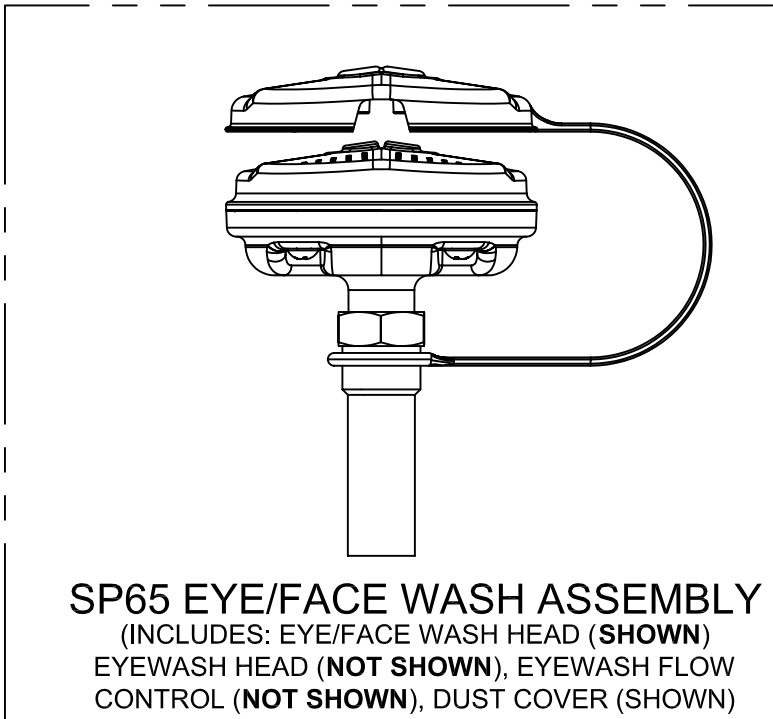


# PARTS BREAKDOWN



SP175  
EYEWASH  
SIGN



**SP65 EYE/FACE WASH ASSEMBLY**  
(INCLUDES: EYE/FACE WASH HEAD (SHOWN)  
EYEWASH HEAD (NOT SHOWN), EYEWASH FLOW  
CONTROL (NOT SHOWN), DUST COVER (SHOWN))

**NOTE:**

TRAP & TAILPIECE SUPPLIED WITH MODEL 7260BT & 7270BT ONLY.

REV	DESCRIPTION	ECN	DATE	BY/APVD
14	UPDATED PER ECN	4367	12/2/09	IR
REVISIONS				

**WHEN ORDERING  
PARTS PLEASE  
SPECIFY YOUR  
MODEL NUMBER**



1455 KLEPPE LANE  
SPARKS, NEVADA 89431  
(775) 359-4712 FAX (775) 359-7424  
E-MAIL: HAWS@HAWS.CO.COM  
WEBSITE: WWW.HAWS.CO.COM

DRAWN BY: RTM	DATE: 07/17/02	CHECK BY:	APPVD BY:	SCALE: 1/2
TITLE: 7260B/7270B, 7260BT/7270BT			PART NUMBER: 0002080038	
DRAWING TYPE: PARTS BREAKDOWN			DRAWING NUMBER: 15345A00	REV: 14