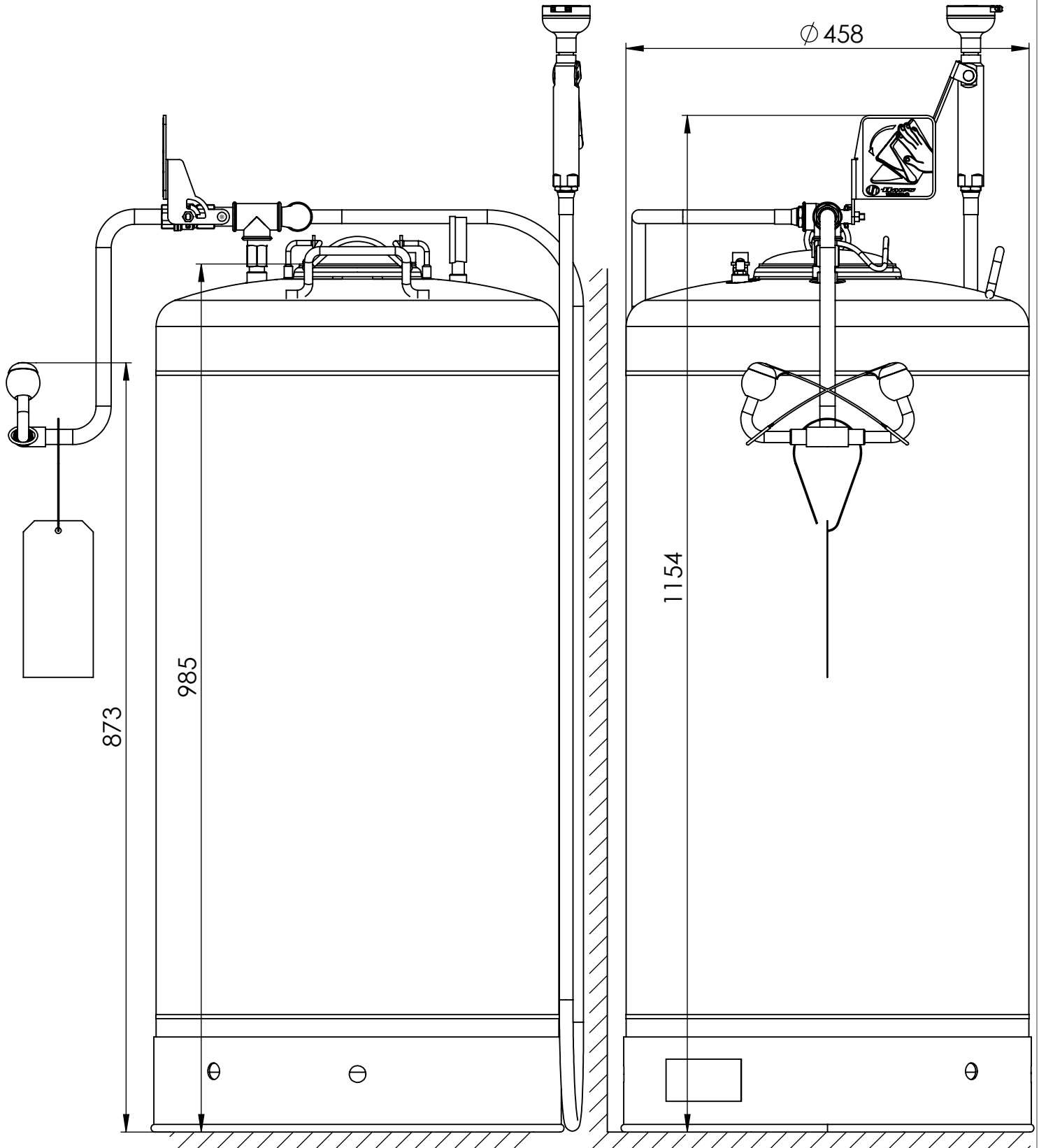



THIS DOCUMENT AND THE DATA DISCLOSED HEREIN OR HERewith IS NOT TO BE REPRODUCED, USED, OR DISCLOSED IN WHOLE OR IN PART TO ANYONE WITHOUT THE PERMISSION OF HAWS CORPORATION.

REVISIONS					
ZONE	REV	DESCRIPTION	ECN	DATE	BY



<b>Data Sheet</b>	ECN NO.				
	APPROVALS	DATE			
	DRAWN		1455 KLEPPE LN SPARKS, NV	BACHWEG 3 CH3401 BURGDORF SWITZERLAND	www.hawsco.com 775-359-4712
	CHECKED		TITLE		
MATERIAL	Draw-Nr.	SIZE	PART NO.	REV.	
Material <nicht festgelegt>		A4	7601.37K		
		SCALE 1:6	PARTS BREAKDOWN	SHEET 1 OF 1	